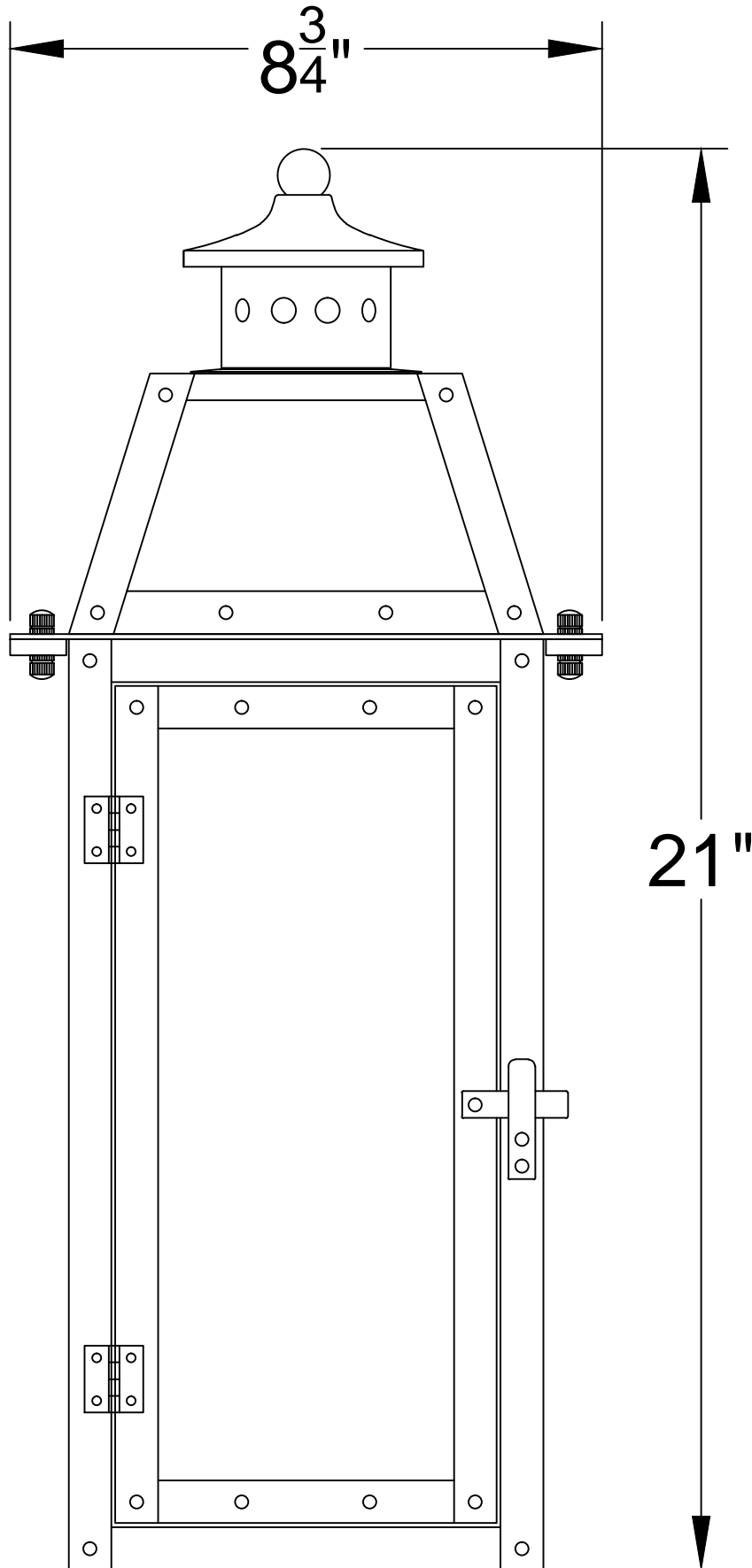


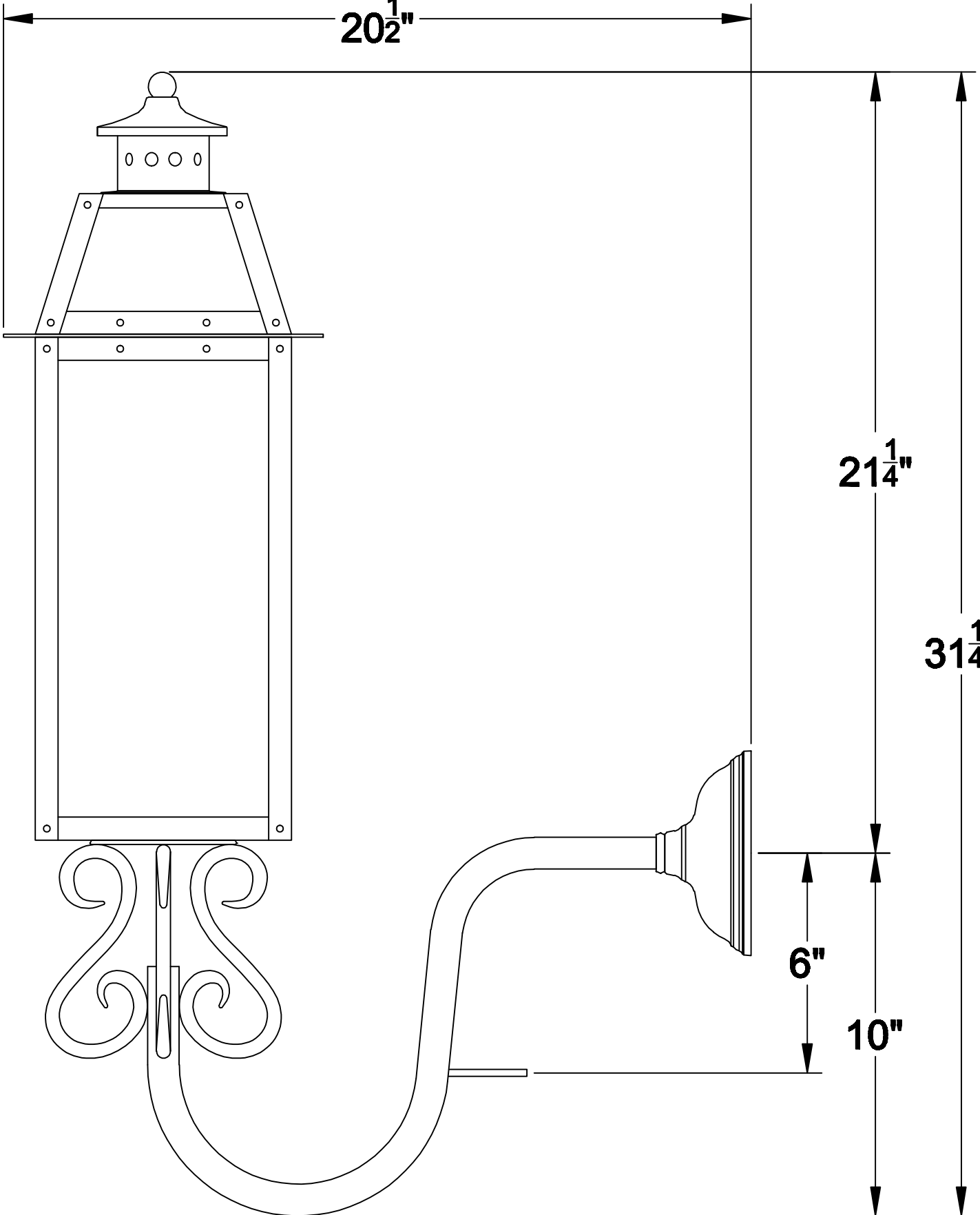
BV-20



Front

BV-20

20 $\frac{1}{2}$ "



21 $\frac{1}{4}$ "

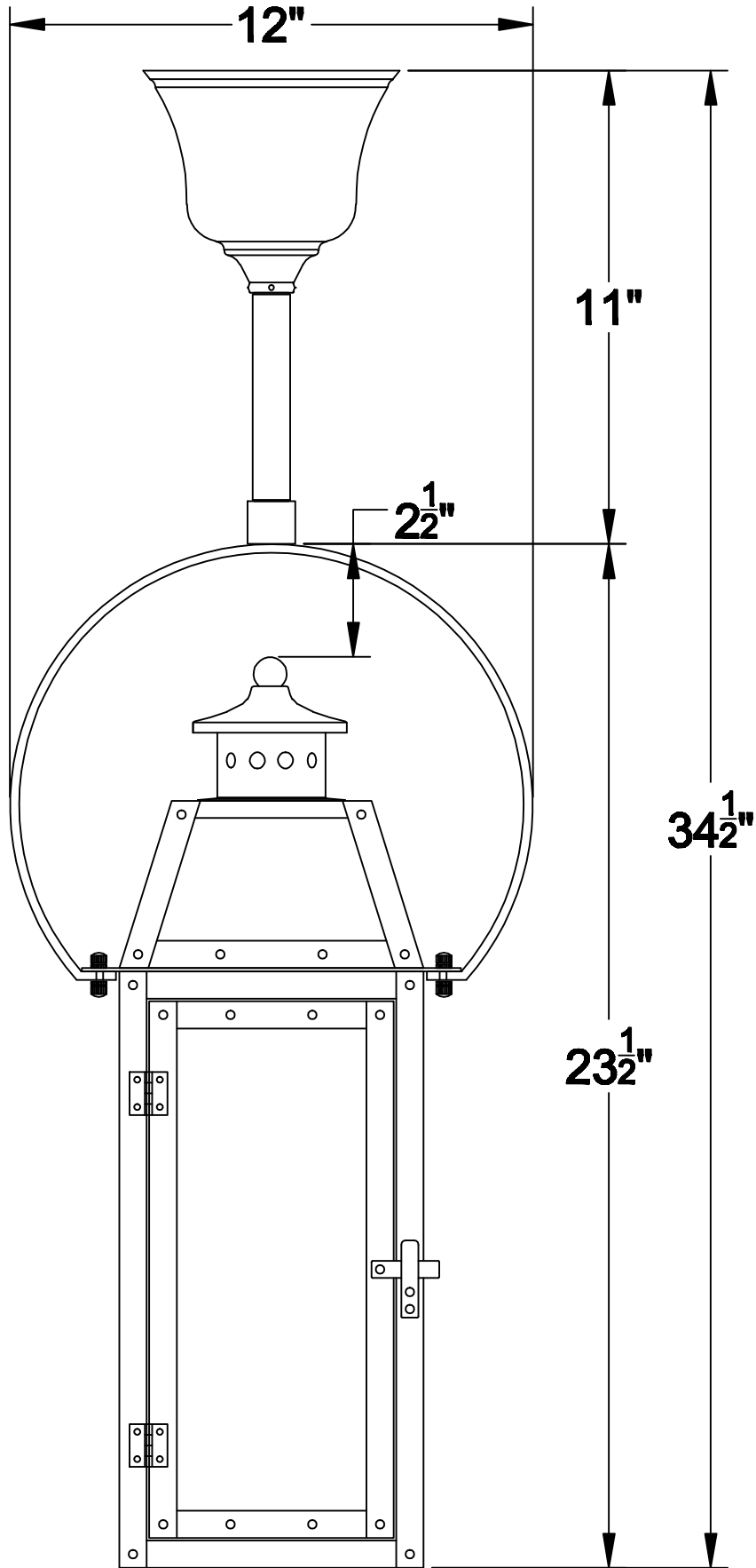
31 $\frac{1}{4}$ "

6"

10"

GN

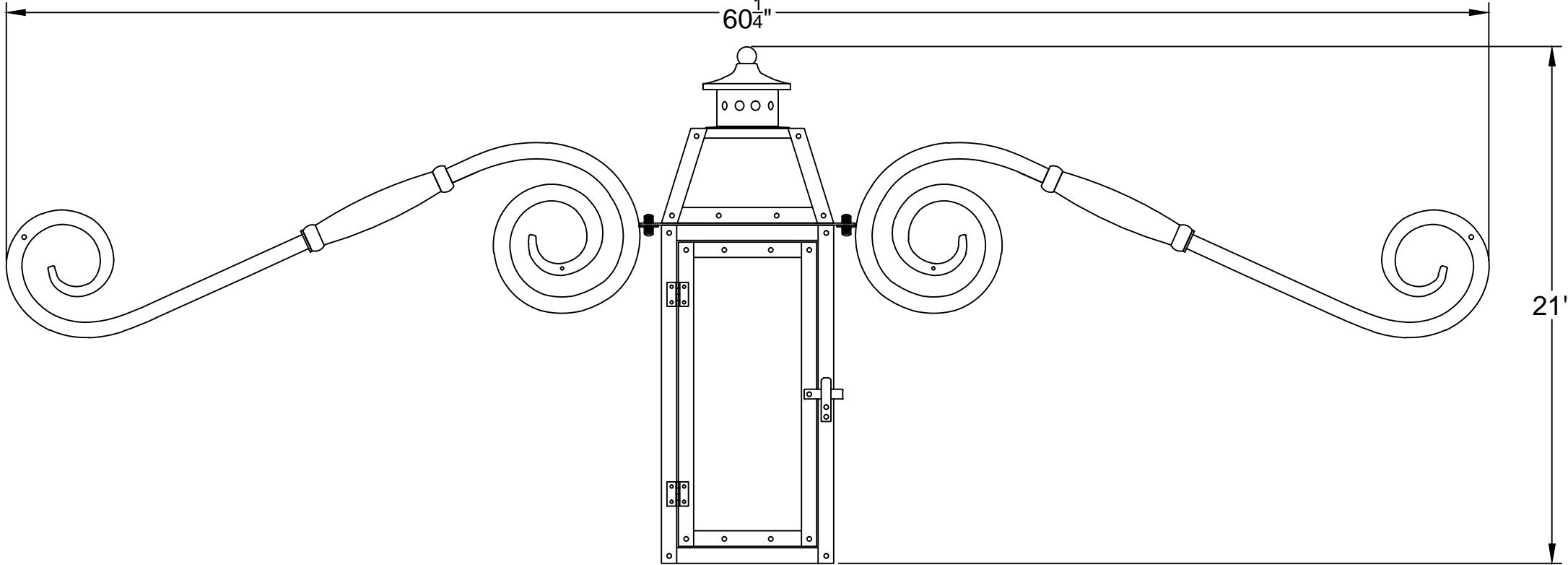
BV-20



HY-1

BV-20

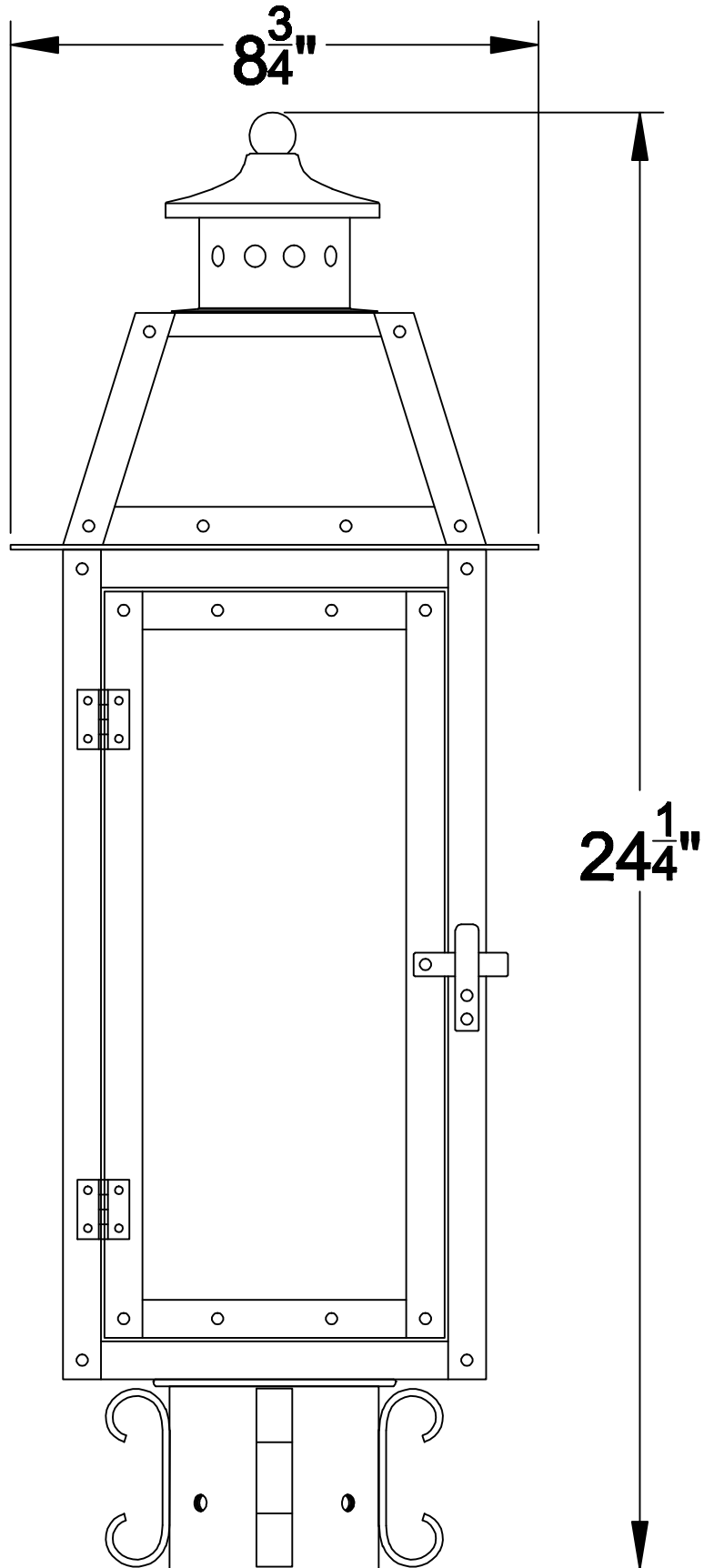
60¹/₄"



21"

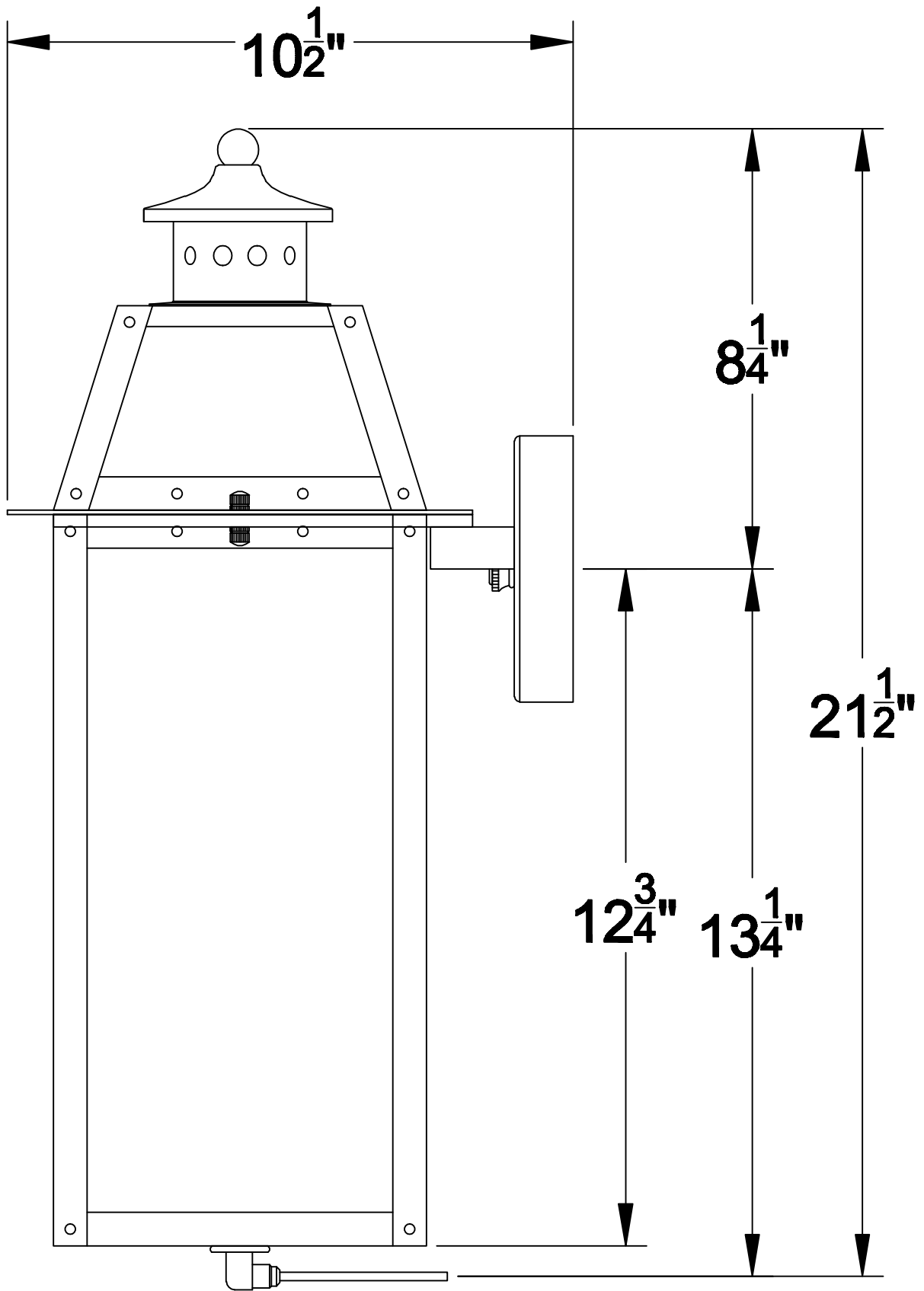
MU

BV-20



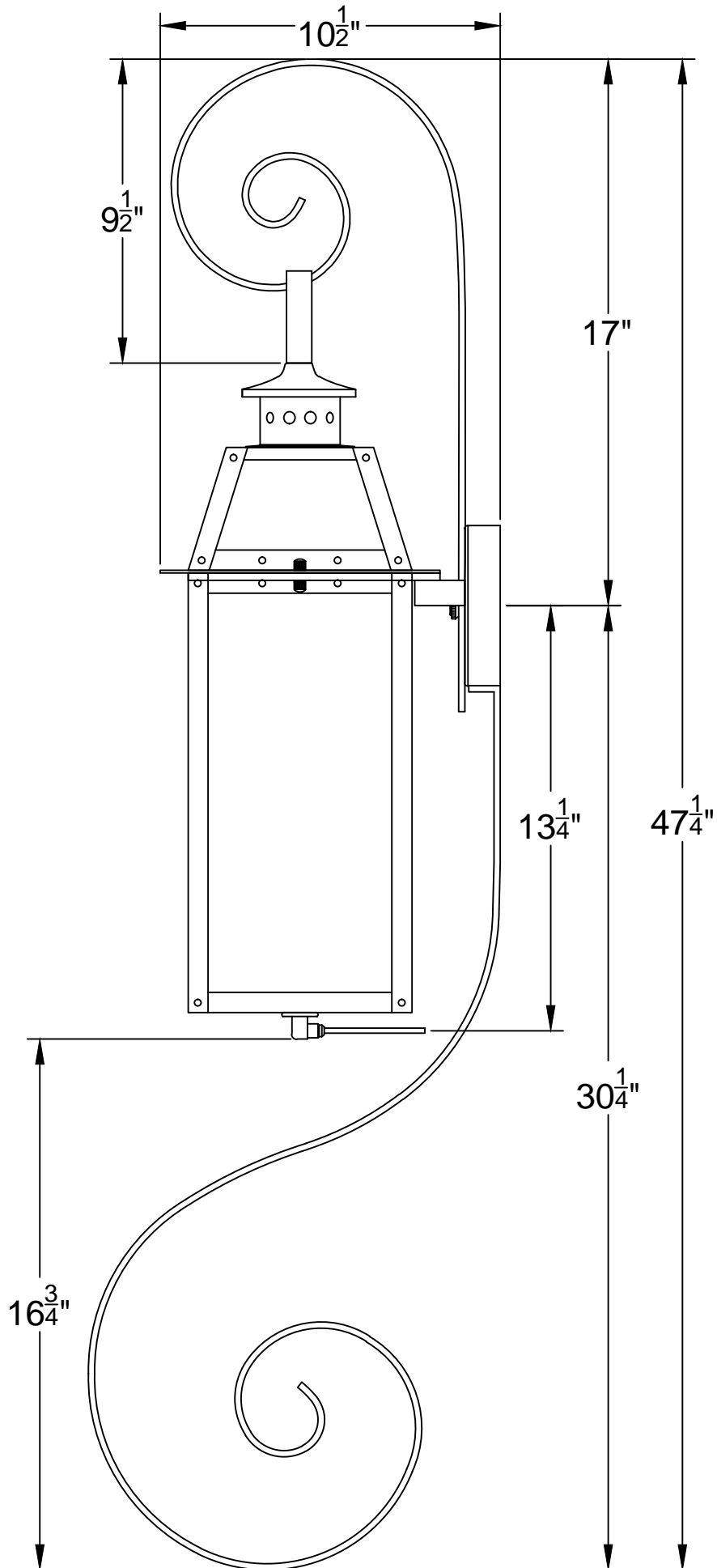
PM

BV-20



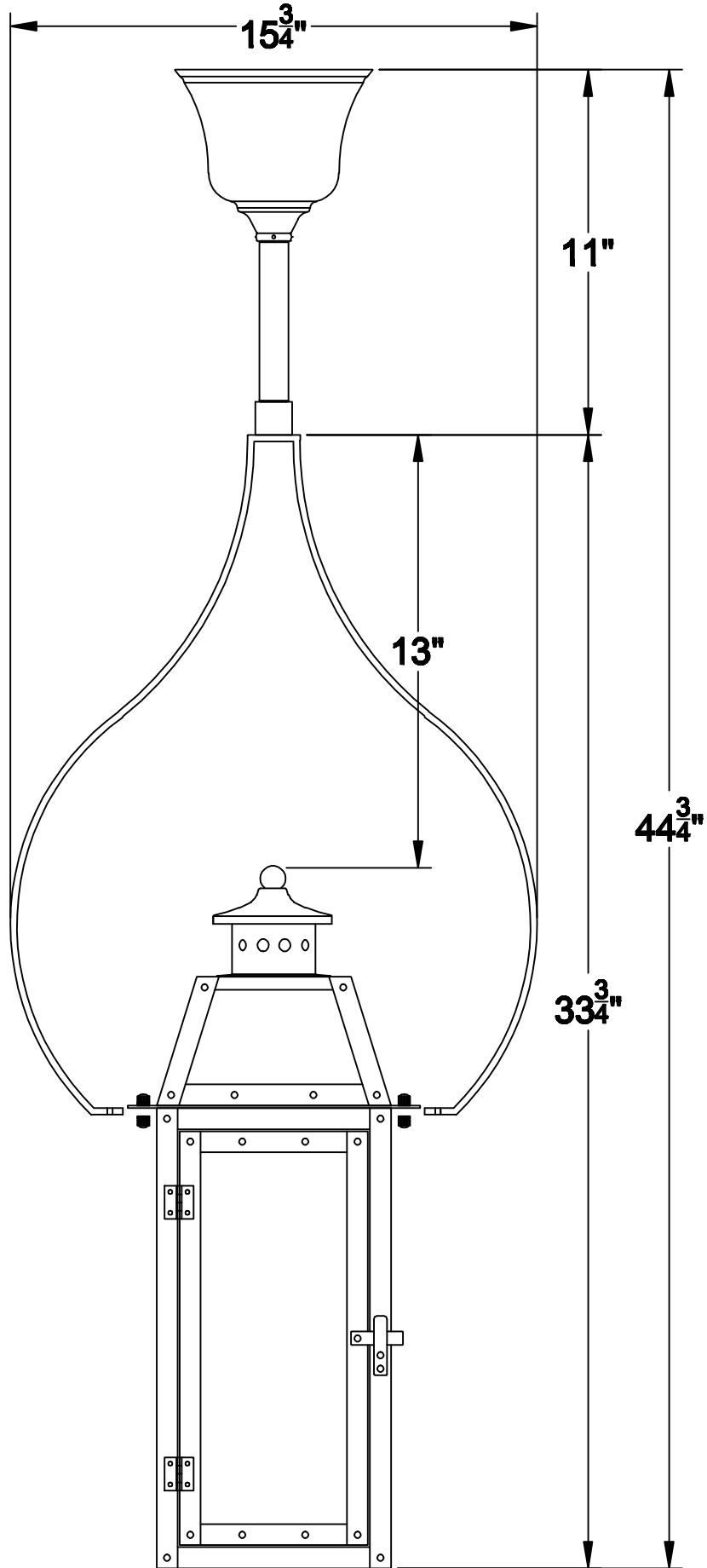
Side

BV-20



TS-1 BS-2

BV-20



TY-1